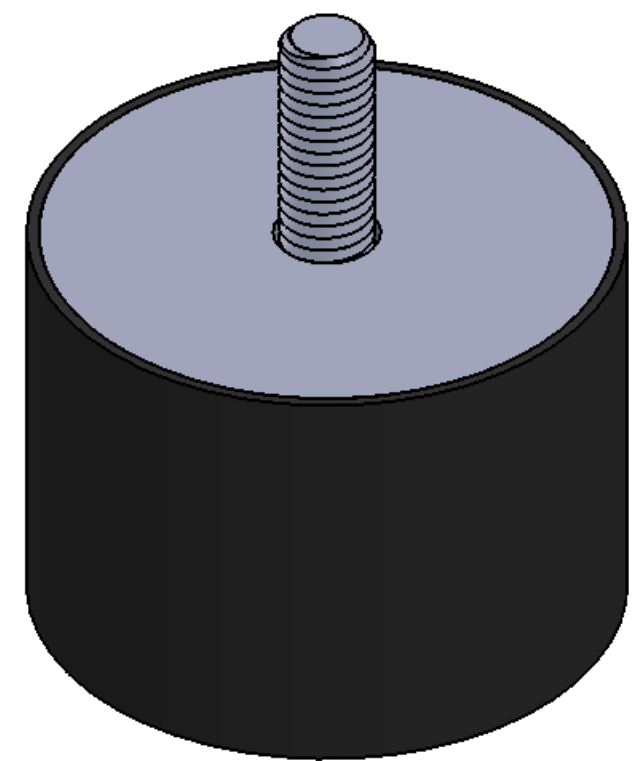
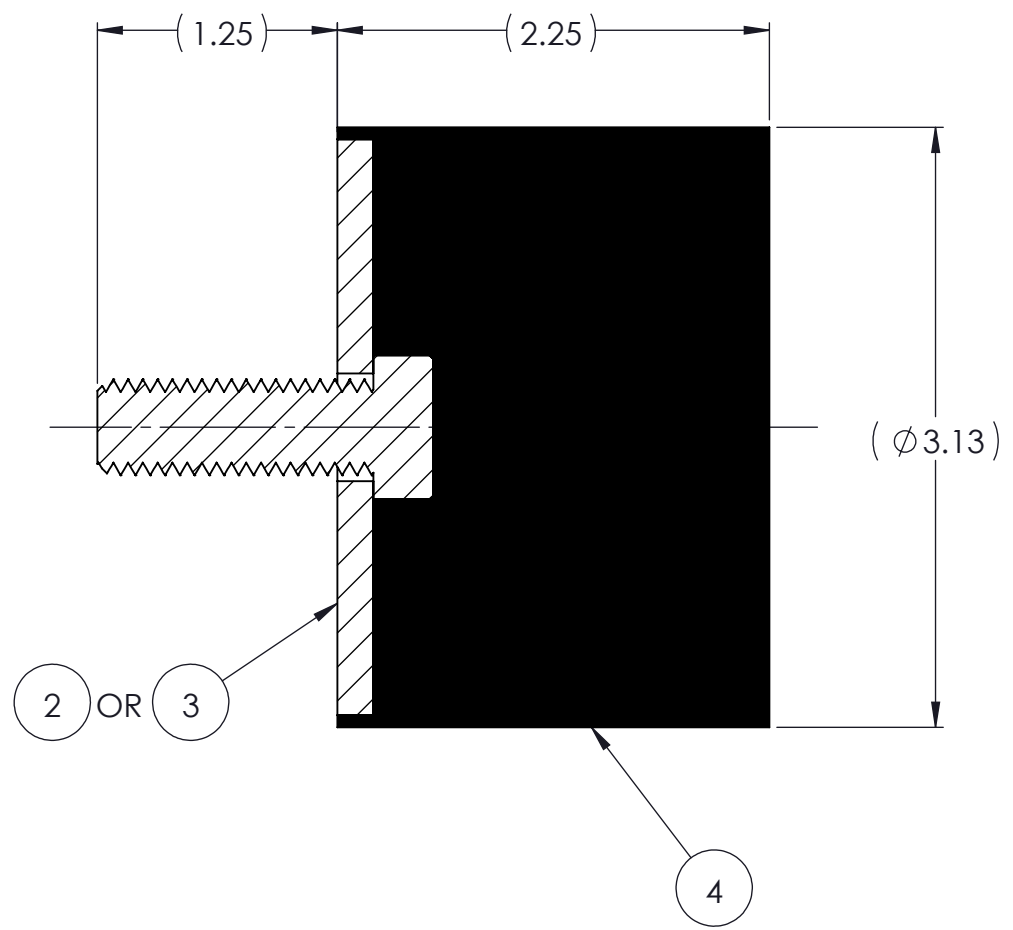
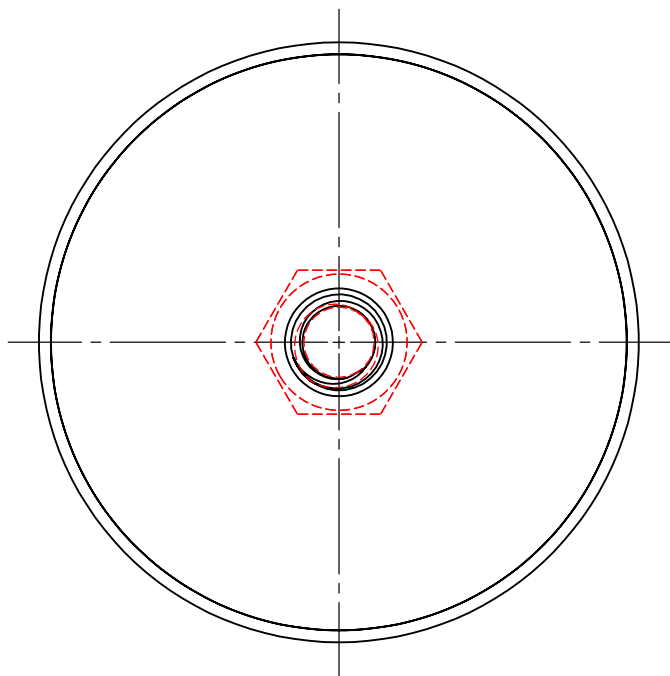


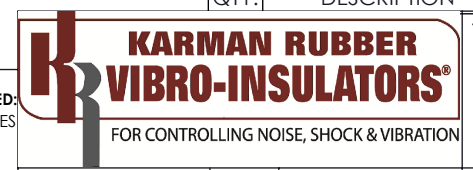
REVISIONS			
REV.	DESCRIPTION	DATE	APPROVED
1	INITIAL RELEASE OF DRAWING	7/10/2014	BS
2	ADD NOTE 3 TO SPECIFY AVAILABLE THREADS.	8/12/2014	BS



- NOTES:
- 1 MATERIAL: ELASTOMER AND DUROMETER OF 40, 50, 60 OR 70 TO BE SPECIFIED.
  - 2 ALL DIMENSIONS ARE REFERENCE.
  - 3 AVAILABLE WITH THREADS OF 1/2-13 UNC X 1-1/4" AND M12 X 1.75 X 1-1/4".

PROPRIETARY AND CONFIDENTIAL		SIGNATURE	DATE
THE INFORMATION CONTAINED IN THIS DRAWING IS THE SOLE PROPERTY OF KARMAN RUBBER. ANY REPRODUCTION IN PART OR AS A WHOLE WITHOUT THE WRITTEN PERMISSION OF KARMAN RUBBER IS PROHIBITED.	DRAWN	B. SENECAI	07/10/2014
	CHECK	S. BROWN	07/10/2014
	ENGR	B. SENECAI	07/10/2014
	QA		
	STRESS		
	APPR		

UNLESS OTHERWISE SPECIFIED:  
 DIMENSIONS ARE IN INCHES  
 TOLERANCES:  
 .X =  
 .XX = ± 0.031  
 .XXX =  
 ANGLES = ± 1°  
 INTERPRET GEOMETRIC TOLERANCING PER: ASME Y14.5M-1994



TITLE: **K172 SERIES VIBRO-INSULATORS**  
[WWW.KARMAN.COM](http://WWW.KARMAN.COM)

QTY.	DESCRIPTION	PART NUMBER	MATERIAL OR NOTES	ITEM
AR	ELASTOMER	K172-4	⚠	4
1	MK720-M12	MK720-M12		3
1	MK720-PT	MK720-PT		2
	K172	K172		1

SIZE	CAGE CODE	DWG. NO.	REV
<b>B</b>		<b>K172</b>	<b>2</b>
DO NOT SCALE DRAWING		SCALE: 1:1	WEIGHT: 1LB 8 OZ. SHEET 1 OF 1